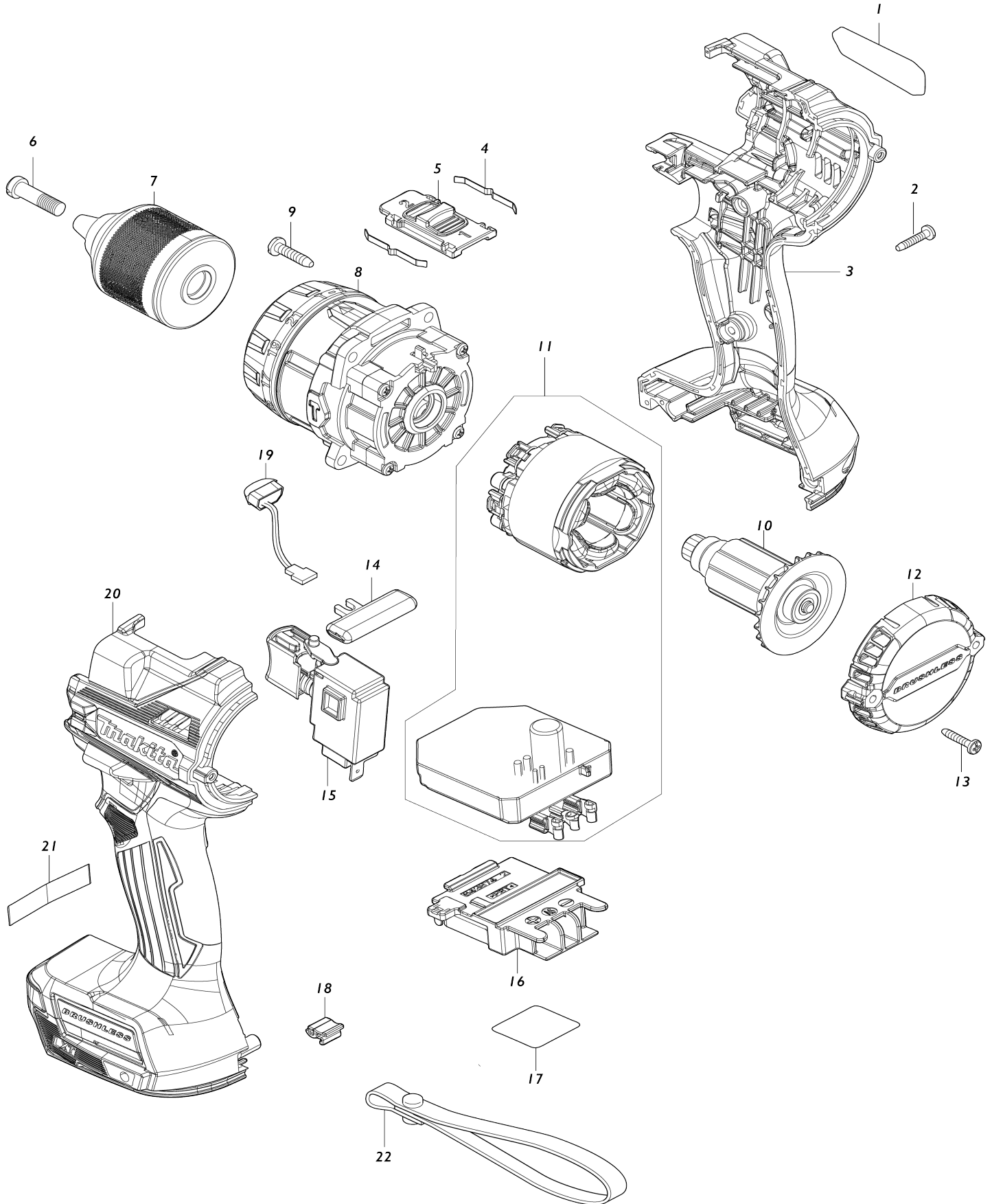


Model No.DHP486 CORDLESS HAMMER DRIVER DRILL

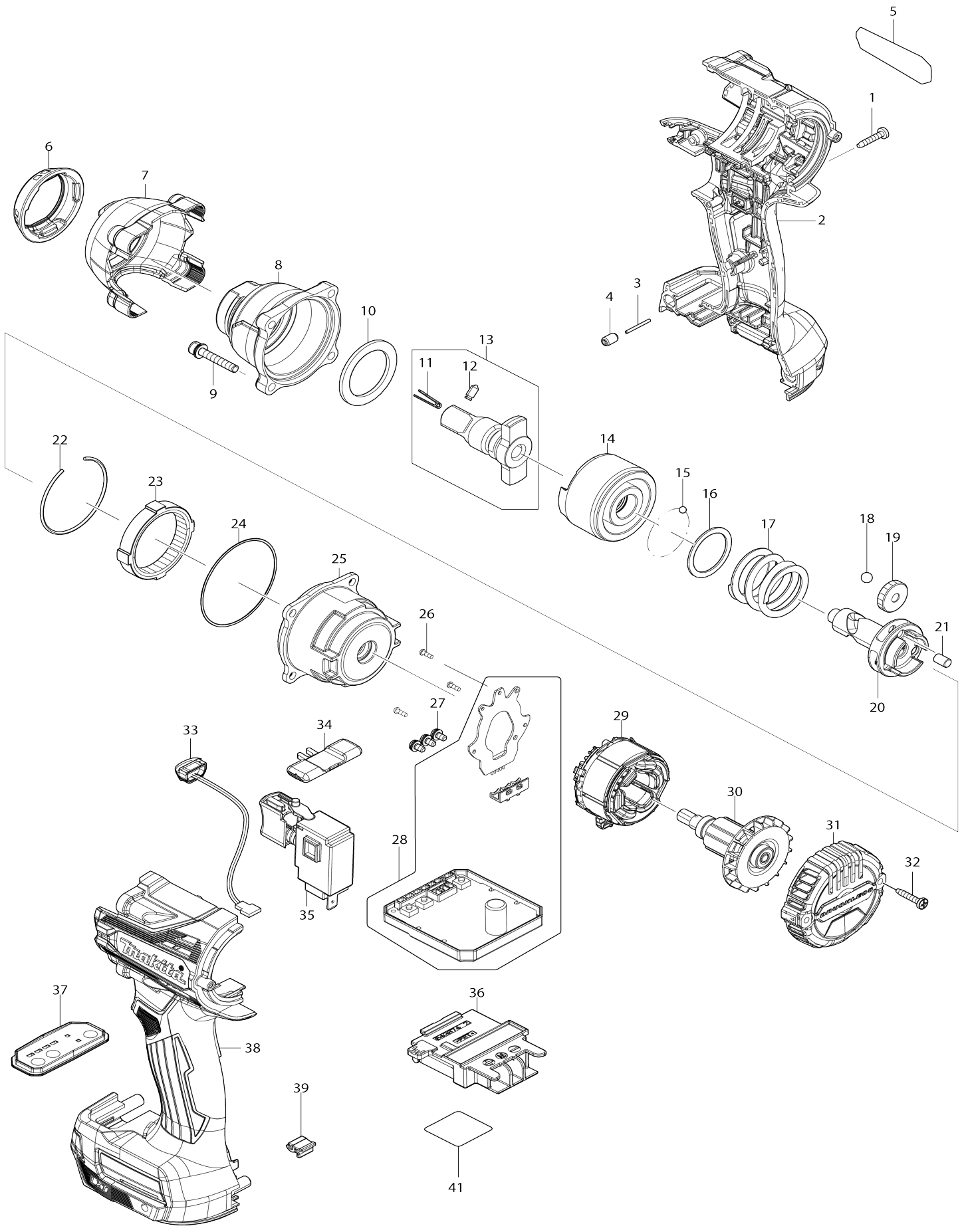


Model No.DHP486 CORDLESS HAMMER DRIVER DRILL

Item No.	Parts No.	Description
001	811B29-1	DHP486 NAME PLATE
002	266130-9	TAPPING SCREW BIND PT 3X16
003	183R83-4	HOUSING SET
C10	263005-3	RUBBER PIN 6
C20	252126-6	HEX. LOCK NUT M4-7
003		INC. 20
004	232220-0	LEAF SPRING
005	127494-5	SPEED CHANGE LEVER ASSEMBLY
C10	233438-6	COMPRESSION SPRING 4
006	251468-5	- FLAT HEAD SCREW M6X22
007	763252-1	KEYLESS DRILL CHUCK 13
008	127698-9	GEAR ASSEMBLY
008-1	122A92-6	GEAR ASSEMBLY
008-2	122B68-9	GEAR ASSEMBLY
008-3	122D48-7	GEAR ASSEMBLY
008-4	122H10-6	GEAR ASSEMBLY
009	266326-2	TAPPING SCREW 4X18
009-1	265B67-9	TAPPING SCREW 4X18
010	619656-4	ROTOR
010-1	619656-4	ROTOR
011	629A33-8	STATOR COMPLETE
011-1	629B79-0	STATOR COMPLETE
011-2	629C05-5	STATOR COMPLETE
011-3	629C97-4	STATOR COMPLETE
011-4	629D26-3	STATOR COMPLETE
011-5	629D46-7	STATOR COMPLETE
012	413405-9	REAR COVER
013	266130-9	TAPPING SCREW BIND PT 3X16
014	419041-9	F/R CHANGE LEVER
015	651443-5	SWITCH C3JR-4B
016	643874-2	TERMINAL
017	811B36-4	DHP486 SERIAL NO. LABEL
018	424517-3	CUSHION
019	620549-0	LED CIRCUIT
020	183R83-4	HOUSING SET
C10	263005-3	RUBBER PIN 6
C20	252126-6	HEX. LOCK NUT M4-7
020		INC. 3
A01	122576-8	STOPPER POLE ASS'Y
A02	127701-6	GRIP ASSEMBLY
C10	140U91-6	POLE COMPLETE
C20	140X19-2	ARM R COMPLETE
C30	265785-7	THUMB SCREW M5X10
C40	266886-4	HEX. BOLT M8X65
C50	312A63-3	ARM L
C60	931202-6	HEX. NUT M5
C70	962055-2	RETAINING RING (INT) R-15

A02-1	122C01-7	GRIP ASSEMBLY
C10	140U91-6	POLE COMPLETE
C20	140X19-2	ARM R COMPLETE
C30	265785-7	THUMB SCREW M5X10
C40	266886-4	HEX. BOLT M8X65
C50	312C73-2	ARM L
C60	931202-6	HEX. NUT M5
C70	962055-2	RETAINING RING (INT) R-15
A02-2	122D10-2	GRIP ASSEMBLY
C10	140U91-6	POLE COMPLETE
C20	140X19-2	ARM R COMPLETE
C30	265C34-0	THUMB SCREW M5X10
C40	266886-4	HEX. BOLT M8X65
C50	312C73-2	ARM L
C60	931202-6	HEX. NUT M5
C70	962055-2	RETAINING RING (INT) R-15
A02-3	122F12-0	GRIP ASSEMBLY
C10	141R99-5	POLE COMPLETE
C20	140X19-2	ARM R COMPLETE
C30	265C34-0	THUMB SCREW M5X10
C40	266886-4	HEX. BOLT M8X65
C50	312C73-2	ARM L
C60	931202-6	HEX. NUT M5
C70	962055-2	RETAINING RING (INT) R-15
A03	251314-2	+ TRUSS HEAD SCREW M4X12
A04	346317-0	HOOK
A05	452947-8	BIT HOLDER
A06	784637-8	+ - BIT 2-45
A07	821550-0	CONNECTOR PLASTIC CASE (TYP E2)
C10	453974-8	LATCH
A08	837916-4	INNER TRAY
A09	8030X6-3	DHP486RTJ INDICATION LABEL
A10	8030X7-1	DHP486RTJ PLASTIC CASE LABEL
A11	450128-8	BATTERY COVER
A12	197280-8	BATTERY BL1850B SET
A13	***DC18RC	DC18RC FAST CHARGER

Model No.DTW301 CORDLESS IMPACT WRENCH



Model No.DTW301 CORDLESS IMPACT WRENCH

Item No.	Parts No.	Description
001	266130-9	TAPPING SCREW BIND PT 3X16
002	183P27-2	HOUSING SET
C10	263005-3	RUBBER PIN 6
C20	252126-6	HEX. LOCK NUT M4-7
002		INC. 38
003	268284-8	PIN 1.5
004	263036-2	RUBBER PIN 5
005	857A36-4	DTW301 NAME PLATE
006	422584-2	BUMPER
007	412556-5	HAMMER CASE COVER
008	140T36-8	HAMMER CASE COMPLETE
008-1	1410F7-0	HAMMER CASE COMPLETE
008-2	140T36-8	HAMMER CASE COMPLETE
009	265472-8	HEX. SOCKET HEAD BOLT M4X25
009-1	265D40-1	H. S. HEAD BOLT M4X25 WITH W R
010	261154-0	NYLON WASHER 28
011	322045-1	CLIP
012	323675-1	PIN 4
012-1	327D10-9	PIN4
012-2	323675-1	PIN 4
013	136240-5	ANVIL A ASSY
013		INC. 11,12
013-1	136240-5	ANVIL A ASSY
013-1		INC. 11,12
013-2	136240-5	ANVIL A ASSY
013-2		INC. 11,12
013-3	137254-7	ANVIL A ASS'Y
013-3		INC. 11,12
014	327572-3	HAMMER
015	216001-0	STEEL BALL 3.5
016	267175-0	FLAT WASHER 24
017	232615-7	COMPRESSION SPRING 25
018	216011-7	STEEL BALL 5.6
019	227338-0	SPUR GEAR 22
020	327573-1	SPINDLE
021	268311-1	PIN 5
022	233910-8	RING SPRING 43
023	227337-2	INTERNAL GEAR 51
024	213785-1	O-RING 49
025	140T37-6	INTERNAL GEAR CASE COMPLETE
026	266490-9	TAPPING SCREW PT 2X6
027	652069-6	FLAT HEAD SCREW M3X6
028	620C64-2	CONTROLLER
029	629477-6	STATOR
029-1	629A98-0	STATOR
030	619626-3	ROTOR

031	412555-7	REAR COVER
032	266130-9	TAPPING SCREW BIND PT 3X16
033	620521-2	LED CIRCUIT
034	455053-8	F/R CHANGE LEVER
035	651443-5	SWITCH C3JR-4B
036	643874-2	TERMINAL
037	140T43-1	SWITCH PLATE COMPLETE
C10	8012S9-8	SWITCH LABEL
037-1	141Y82-4	SWITCH PLATE COMPLETE
C10	8012S9-8	SWITCH LABEL
038	183P27-2	HOUSING SET
C10	263005-3	RUBBER PIN 6
C20	252126-6	HEX. LOCK NUT M4-7
038		INC. 2
039	424517-3	CUSHION
041	857A41-1	DTW301 SERIAL NUMBER LABEL
A01	266622-8	+ TRUSS HEAD SCREW M4X12
A02	346317-0	HOOK
A03	821550-0	CONNECTOR PLASTIC CASE (TYP E2)
C10	453974-8	LATCH
A04	835L10-8	INNER TRAY
A05	8014B0-9	DTW301RTJ PLASTIC CASE LABEL
A06	8014A9-4	DTW301RTJ INDICATION LABEL
A07	***DC18RC	DC18RC FAST CHARGER
A07		COMPO-PARTS
A08	450128-8	BATTERY COVER
A09	197280-8	BATTERY BL1850B SET
F03	191K57-9	TOOL HANGER SET